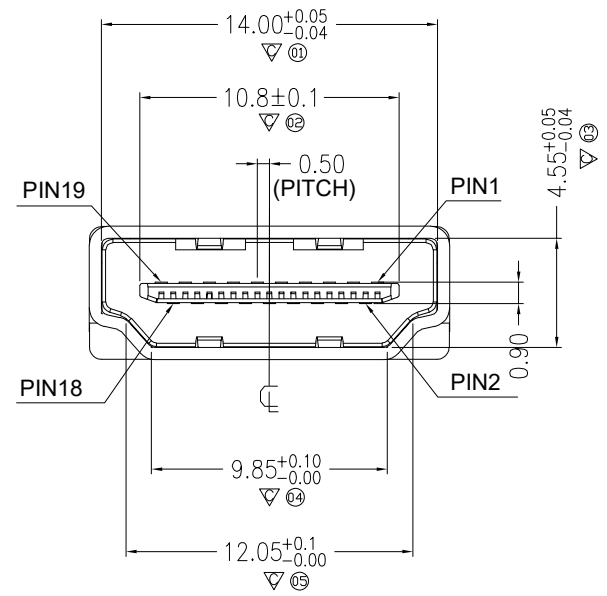
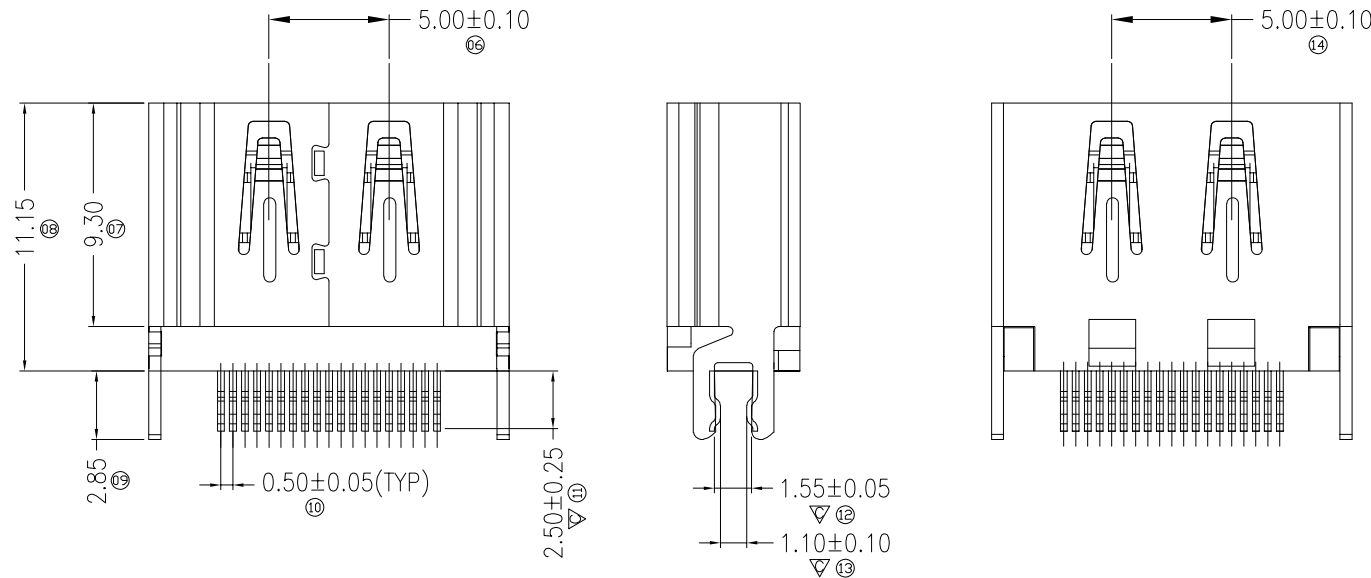


RoHS Compliant

REVISIONS			
REV.	DESCRIPTION	DATE	DESIGN



NOTES:

- MATERIAL:
  - INSERT MOLDING: LCP, COLOR: BACK, UL94-V0.
  - CONTACT: C2680 (T=0.20mm); GOLD FLASH ON CONTACT AREA, 100u" Min. Tin PLATED ON SOLDER TAILS, 50u" Min. NICKEL PLATED OVERALL.
  - SHELL: SPCC, (T=0.50mm); GOLD FLASH PLATED OVERALL, 100u" Min. NICKEL BOTTOM PLATED OVERALL, 120u" Min. COPPER BOTTOM PLATED OVERALL.
- ELECTRICAL CHARACTERISTICS:
  - CURRENT RATING: 0.5A
  - CONTACT RESISTANCE: 30mΩ MAX.
  - INSULATION RESISTANCE: 100MΩ MIN.
  - DIELECTRIC WITHSTAND VOLTAGE: AC 500V/MINUTE.
  - OPERATING TEMPERATURE RANGE: -25°C~+85°C
- MECHANICAL CHARACTERISTICS:
  - INSERTION FORCE: 4.5Kgf MAX.
  - EXTRACTION FORCE: 1.0Kgf MIN., 4.0Kgf MAX.
- DURABILITY: 10000 CYCLES.
- SALT FOG TEST: 24H.
- "⊗" SHOWS FAI MEASUREMENT POINT.
- MARKED "▽" AS KEY CONTROL SIZE.

PART NO. INFORMATION

**HD01-A F X X 5 T - 001-V4**

- PORT TYPE: A: TYPE A
- GENDER: F: FEMALE, M: MALE
- CONTACT PLATED: 1: GOLD FLASH, 2: GOLD 3U", 3: GOLD 5U", 4: GOLD 10U", 5: GOLD 15U", 6: GOLD 30U"
- PACKAGE: T: TRAY
- HOUSING COLOR: 2: WHITE, 5: BLACK, 9: NATURE
- HOUSING MATERIAL: A: LCP, B: PBT, C: PA9T, D: PA6T, E: PA46, F: PA66

**Bestcreate Technology Limited**

TOLERANCES UNLESS OTHERWISE SPECIFIED:			
X.	±	0.50	X.' ± 3'
.X	±	0.25	.X' ± 2'
.XX	±	0.15	.XX' ± 1'

Tel/Whatsapp: 0086-13712299763  
 Skype: belle.wu3340

DESIGN:	DATE:
I.L	2017.3.1
CHECKED:	DATE:
C.W	2017.3.1
APPROVED:	DATE:
C.W	2017.3.1

TITLE:		
HDMI A FEMALE CONNECTOR STRADDLE MOUNT 1.6		
MATERIAL:	PART NO:	SIZE:
	HD01-AFXX5T-001-V4	A4
FINISH:	DWG NO:	
	HD01-AFXX5T-001-V4	

REV: A	UNIT: mm	SCALE: 1=1	QUALITY SYMBOLS
--------	----------	------------	-----------------