

CNX82A.W, CNX83A.W, SL5582.W & SL5583.W

DESCRIPTION

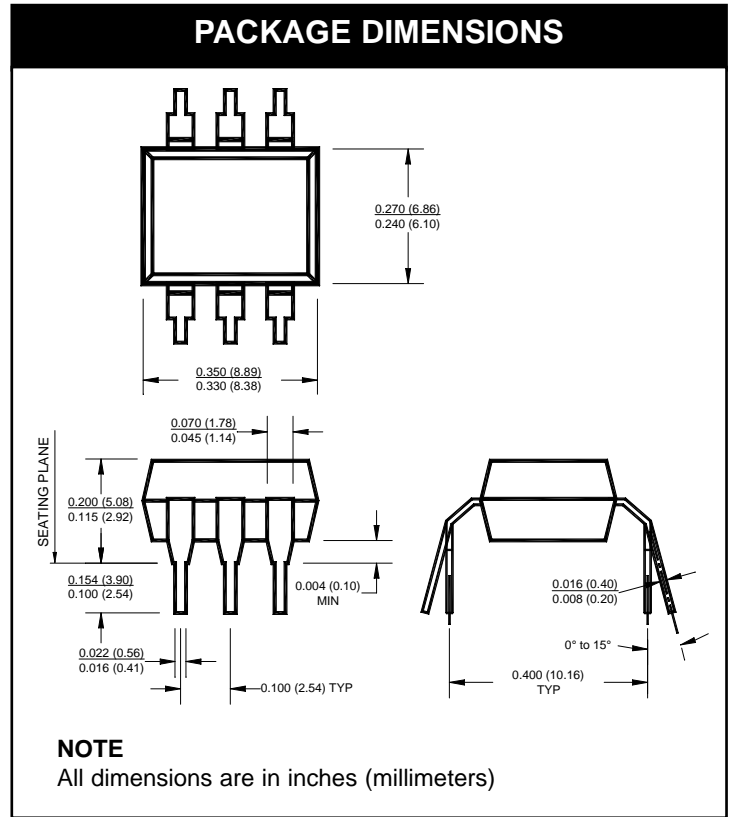
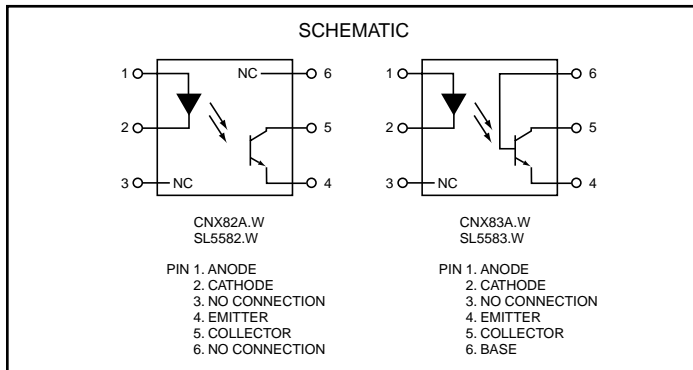
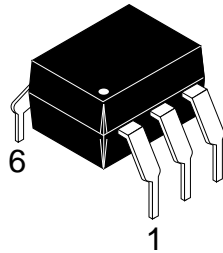
The CNX82A.W, CNX83A.W, SL5582.W AND SL5583.W, consist of a gallium arsenide infrared emitting diode driving a silicon phototransistor in a 6-pin dual in-line package.

FEATURES

- Input/Output pin distance 10.16 mm
- UL recognized (File # E90700)

APPLICATIONS

- Power supply regulators
- Digital logic inputs
- Microprocessor inputs



ABSOLUTE MAXIMUM RATINGS

Parameter	Symbol	Value	Units
TOTAL DEVICE			
Storage Temperature	T_{STG}	-55 to +150	°C
Operating Temperature	T_{OPR}	-55 to +100	°C
Lead Solder Temperature	T_{SOL}	260 for 10 sec	°C
Junction Temperature	T_J	125	°C
Total Device Power Dissipation @ $T_A = 25^\circ\text{C}$	P_D	250	mW
EMITTER			
DC/Average Forward Input Current	I_F	100	mA
Reverse Input Voltage	V_R	5.0	V
Forward Current - Peak (1 μs pulse, 300pps)	$I_F(pk)$	3.0	A
LED Power Dissipation @ $T_A = 25^\circ\text{C}$ Derate above 25°C	P_D	140 1.33	mW mW/°C
DETECTOR			
Collector-Emitter Voltage	V_{CEO}	50	V
Collector-Base Voltage (CNX83A)	V_{CBO}	70	V
Emitter-Collector Voltage	V_{ECO}	7	V
Continuous Collector Current	I_C	100	mA
Detector Power Dissipation @ $T_A = 25^\circ\text{C}$ Derate above 25°C	P_D	150 2.0	mW mW/°C

CNX82A.W, CNX83A.W, SL5582.W & SL5583.W

ELECTRICAL CHARACTERISTICS ($T_A = 25^\circ\text{C}$ Unless otherwise specified.)

INDIVIDUAL COMPONENT CHARACTERISTICS

Parameter	Test Conditions	Symbol	Device	Min	Typ**	Max	Unit
EMITTER							
Input Forward Voltage	($I_F = 10\text{ mA}$)	V_F	ALL		1.2	1.50	V
Reverse Leakage Current	($V_R = 5.0\text{ V}$)	I_R	ALL		0.001	10	μA
DETECTOR							
Collector-Emitter Breakdown Voltage	($I_C = 1.0\text{ mA}$, $I_F = 0$)	BV_{CEO}	ALL	50	100		V
Collector-Base Breakdown Voltage	($I_C = 100\text{ }\mu\text{A}$, $I_F = 0$)	BV_{CBO}	CNX83A.W SL5583.W	70	120		V
Emitter-Collector Breakdown Voltage	($I_E = 100\text{ }\mu\text{A}$, $I_F = 0$)	BV_{ECO}	ALL	7	10		V
Collector-Emitter Dark Current	($V_{CE} = 10\text{ V}$, $I_F = 0$)	I_{CEO}	ALL		0.001	0.050	μA
	($V_{CE} = 10\text{ V}$, $I_F = 0$) ($T_A = 70^\circ\text{C}$)		CNX82A.W CNX83A.W		0.5	10	
	($V_{CE} = 10\text{ V}$, $I_F = 0$) ($T_A = 100^\circ\text{C}$)		SL5582.W SL5583.W			0.5	
	($V_{CE} = 10\text{ V}$, $I_F = 0$) ($T_A = 100^\circ\text{C}$)		SL5582.W SL5583.W			50	
Collector-Base Dark Current	($V_{CB} = 10\text{ V}$)	I_{CBO}	CNX83A.W SL5583.W			20	nA
Capacitance	($V_{CE} = 0\text{ V}$, $f = 1\text{ MHz}$)	C_{CE}	ALL		8		pF

Note

** Typical values at $T_A = 25^\circ\text{C}$

Call QT Optoelectronics for more information or the phone number of your nearest distributor.

United States 800-533-6786 • France 33 [0] 1.45.18.78.78 • Germany 49 [0] 89/96.30.51 • United Kingdom 44 [0] 1296 394499 • Asia/Pacific 603-7352417

CNX82A.W, CNX83A.W, SL5582.W & SL5583.W

TRANSFER CHARACTERISTICS (T _A = 25°C Unless otherwise specified.)							
DC Characteristic	Test Conditions	Symbol	Device	Min	Typ**	Max	Units
Current Transfer Ratio, Collector-Emitter	(I _F = 10 mA, V _{CE} = 0.4 V)	CTR	ALL	40			%
	(I _F = 10 mA, V _{CE} = 5 V)		CNX82A.W CNX83A.W	40		250	
			SL5582.W SL5583.W	40		320	
	(I _F = 10 mA, V _{CE} = 5 V) (T _A = 100°C)		SL5582.W SL5583.W	25		320	
	(I _F = 1 mA, V _{CE} = 5 V)		CNX82A.W CNX83A.W	10		100	
	(I _F = 2 mA, V _{CE} = 5 V)		SL5582.W SL5583.W	20			
	(I _F = 2 mA, V _{CE} = 5 V) (T _A = 100°C)		SL5582.W SL5583.W	15			
Saturation Voltage	(I _F = 10 mA, I _C = 4 mA)	V _{CE(sat)}	ALL		0.19	0.4	V
Turn-on Time	(I _C = 2 mA, V _{CC} = 5 V, R _L = 100 Ω)	t _{on}	ALL		3		μs
	(I _C = 2 mA, V _{CC} = 5 V, R _L = 1 kΩ)		ALL		12		
	(I _F = 16 mA, V _{CC} = 5 V, R _L = 1 kΩ)		SL5582.W SL5583.W			20	
Turn-off Time	(I _C = 2 mA, V _{CC} = 5 V, R _L = 100 Ω)	t _{off}	ALL		3		μs
	(I _C = 2 mA, V _{CC} = 5 V, R _L = 1 kΩ)		ALL		12		
	(I _F = 16 mA, V _{CC} = 5 V, R _L = 1 kΩ)		SL5582.W SL5583.W			50	

ISOLATION CHARACTERISTICS							
Characteristic	Test Conditions	Symbol	Min	Typ**	Max	Units	
Input-Output Isolation Voltage	(I _{I-O} ≤ 1 μA, 1 min.)	V _{ISO}	5300			Vac(rms)	
Isolation Resistance	(V _{I-O} = 500 VDC)	R _{ISO}	10 ¹¹			Ω	
Isolation Capacitance	(V _{I-O} = ∅, f = 1 MHz)	C _{ISO}		0.5		pf	
External air gap (clearance)			9.6			mm	
External tracking path (creepage)			8.0			mm	
Internal plastic gap (clearance)			1.0			mm	

Note

** Typical values at T_A = 25°C

ORDERING INFORMATION

Option	Order Entry Identifier	Description
300	.300W	VDE 0884

CNX82A.W, CNX83A.W, SL5582.W & SL5583.W

TYPICAL CHARACTERISTICS

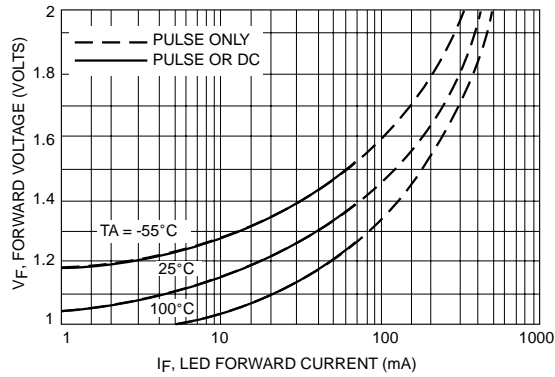


Figure 1. LED Forward Voltage versus Forward Current

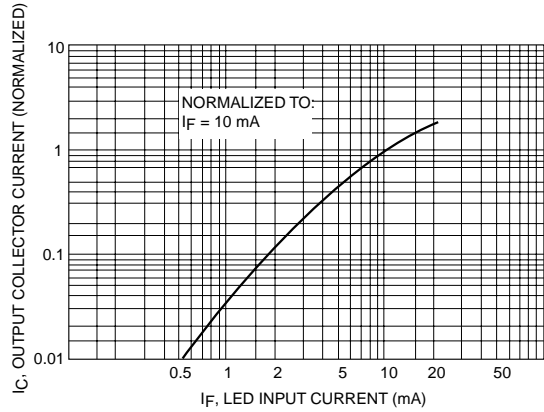


Figure 2. Output Current versus Input Current

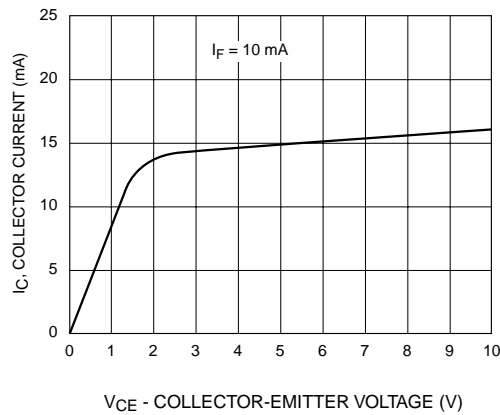


Figure 3. Collector Current versus Collector-Emitter Voltage

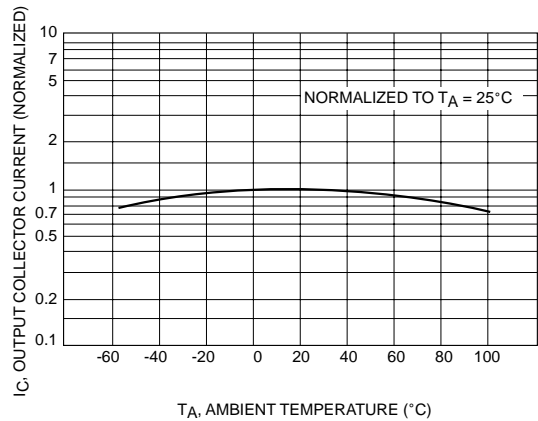


Figure 4. Output Current versus Ambient Temperature

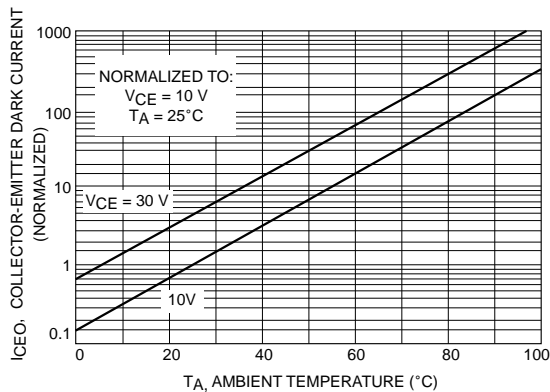


Figure 5. Dark Current versus Ambient Temperature

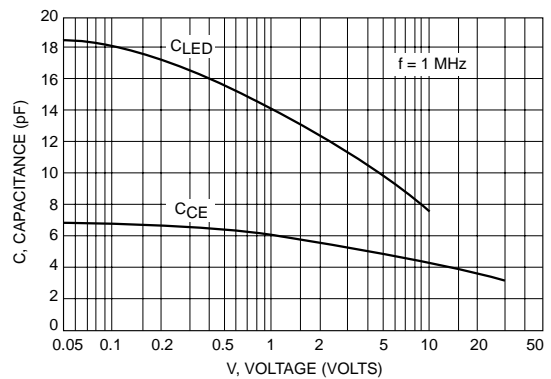


Figure 6. Capacitance versus Voltage