



Features

- ★ Small size,high sensitivity,long working life
- ★ With 1Z 12/16A,2Z 8A contact forms
- ★ With PCB and socket mounting



Specification

Q 14 F - 2 S N 8 A - 24 V D C

ZQ type

Design code

Contact form 1Z 2Z

Packaging form s : Outlet

Work LED LBD

Contact rated load 8 12 16A

Coil voltage DC: 6 9 12 24 36 48 110V AC:6 9 12 24 36 48 110 220V

Coil ratings

Rated voltage DC(V)	Rated current $\pm 10(\text{mA})$	Coil resistance $\pm 10\%(\Omega)$	Max allowed voltage (V)	Pull-in voltage (Max.)	Release voltage (Min.)	Rated power (W)
3	180	17	Rated voltage $\times 110\%$	\leq Rated voltage 80%	\geq Rated voltage 30%	0.53
5	106	47				
6	88	68				
9	58	152				
12	44	272				
18	29	610				
24	22	1087				
36	14	2445				
48	11	4347				
110	4.8	22830				



Coil ratings

Rated voltage AC(V)	Rated current ±10(mA)	Coil resistance ±10%(Ω)	Max allowed voltage (V)	Pull-in voltage (Max.)	Release voltage (Min.)	Rated power (AV)
6	378	16	Rated voltage×110%	≤ Rated voltage 75%	≥ Rated voltage 10%	1
12	189	63				
24	94.6	253				
36	63	570				
48	47	1014				
110	20	5324				
120	18.9	6336				
220	10	21296				
230	9.8	23276				
240	9.5	25344				

Technical Parameter

Dimension		29X13X25.5mm	
Contact	Contact form	1Z, 1H, 1D	2Z, 2H, 2D
	Rated load	12A, 16A	8A
	Max switching voltage	240VAC/28VDC	
	Contact resistance	≤100mΩ	
	Material	Ag alloy	
	Electrical life	≥10 ⁵	
	Mechanical life	≥10 ⁷	
Pull-in voltage		DC: ≤75% X Rated voltage AC: ≤80% X Rated voltage	
Release voltage		DC: ≤10% X Rated voltage AC: ≤30% X Rated voltage	
Max.allowed voltage		110% X Rated voltage	
Nominal voltage	DC:3V~110V		
	AC: 6~240V		
Coil power	DC: 0.53W		
	AC: 1.0VA		
Operate time		≤20ms	
Release time		≤10ms	
Dielectric strength	Between contacts	1200VAC/1min(Leakage current 1mA)	
	Between contacts(different pole)	-	1200VAC/1min(Leakage current 1mA)
	Between contacts and coil	5000VAC/1min(Leakage current 1mA)	
Insulation resistance		≥1000mΩ (500VDC)	
Ambient temperature		-25°C ~ +55°C	
Ambient humidity		35%~80%RH	
Atmospheric pressure		86~106KPa	
Resistance stamping		10G (Sine wave semipulse:11ms)	
Vibration Resistance		10-55Hz Double amplitude:1.5mm	
Install model		Din-rail	
Weight		About 17g	



Contact capacity

Din-rail type

Pole	Contact	Max allowed contact capacity		Rated load			Allowed contact current	Allowed contact voltage	Min Load
		Resistive load	Inductive	Voltage	Resistive load	Inductive $\cos\phi=0.4$ L/R=7ms			
Single pole	NO	3,000VA AC 360W DC	1,875VA AC 180W DC	250V AC 30V DC	12A 12A	7.5A 6A	12A	250V AC 125V DC	5V DC 100mA (Reference value)
	NO	3,000VA AC 180W DC	1,875VA AC 90W DC	250V AC 30V DC	12A 6A	7.5A 3A			
Double pole	NO	2,000VA AC 240W DC	1,000VA AC 120W DC	250V AC 30V DC	8A 8A	4A 4A	8A	250V AC 125V DC	5V DC 10mA (Reference value)
	NO	2,000VA AC 120W DC	1,000VA AC 60W DC	250V AC 30V DC	8A 4A	4A 2A			

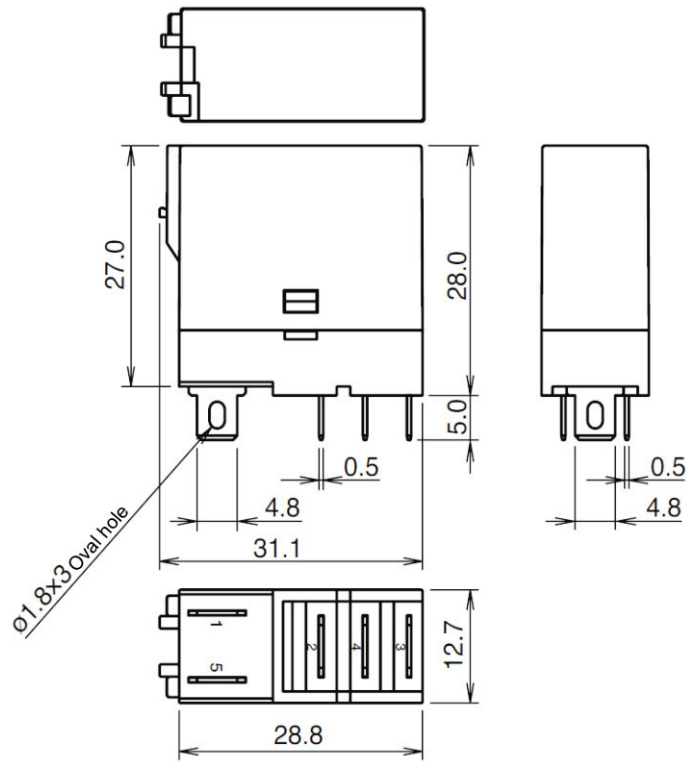
Standard type

Pole	Contact	Max allowed contact capacity		Rated load			Allowed contact current	Allowed contact voltage	Min Load	
		Resistive load	Inductive	Voltage	Resistive load	Inductive $\cos\phi=0.4$ L/R=7ms				
Single pole	Standard type	NO	3,000VA AC 360W DC	1,875VA AC 180W DC	250V AC 30V DC	12A 12A	7.5A 6A	12A	250V AC 125V DC	5V DC 100mA (Reference value)
		NO	3,000VA AC 180W DC	1,875VA AC 90W DC	250V AC 30V DC	12A 6A	7.5A 3A			
	Large capacity type	NO	4,000VA AC 480W DC	4,000VA AC 240W DC	250V AC 30V DC	16A 16A	8A 8A	16A	250V AC 125V DC	5V DC 100mA (Reference value)
		NO	4,000VA AC 240W DC	2,000VA AC 120W DC	250V AC 30V DC	16A 8A	8A 4A			
Double pole	Standard type	NO	2,000VA AC 240W DC	1,000VA AC 120W DC	250V AC 30V DC	8A 8A	4A 4A	8A	250V AC 125V DC	5V DC 10mA (Reference value)
		NO	2,000VA AC 120W DC	1,000VA AC 60W DC	250V AC 30V DC	8A 4A	4A 2A			

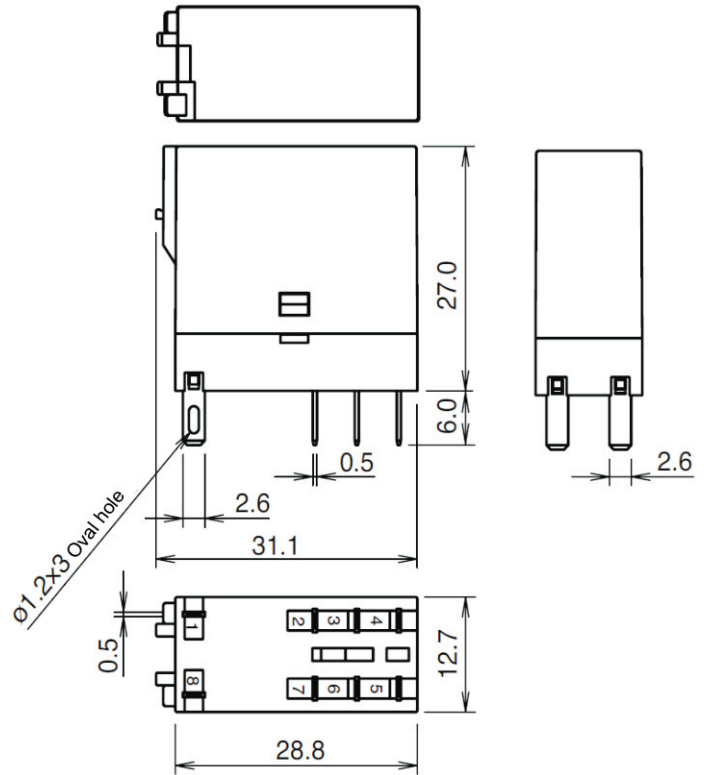


Outline dimension wiring diagram(mm)

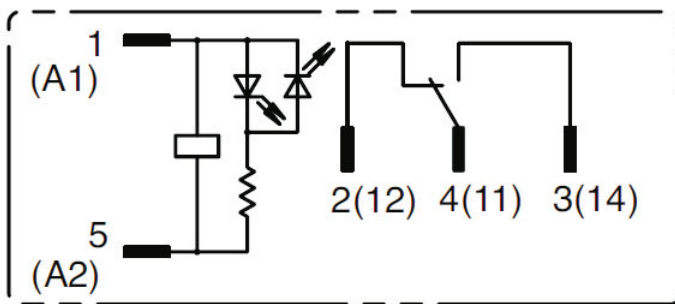
Q14F-1S Type



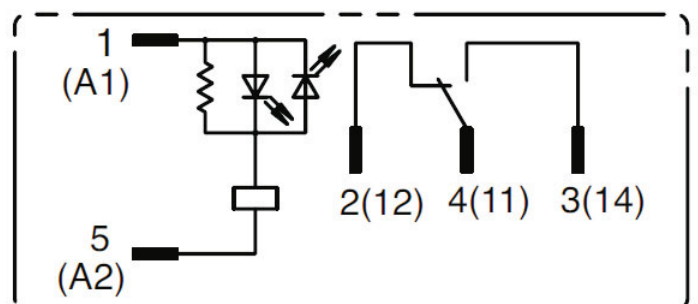
Q14F-2S Type



Q14F1S-CL-Standard type(With active LED)

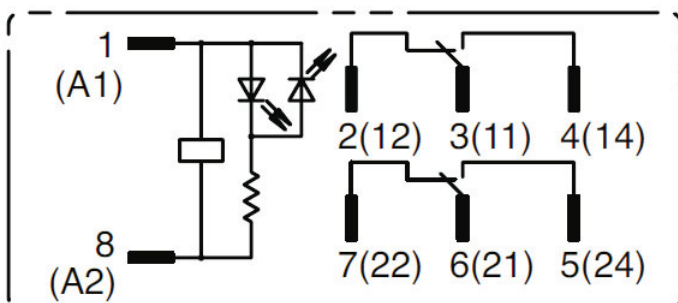


Coil rated voltage ≤ 24V

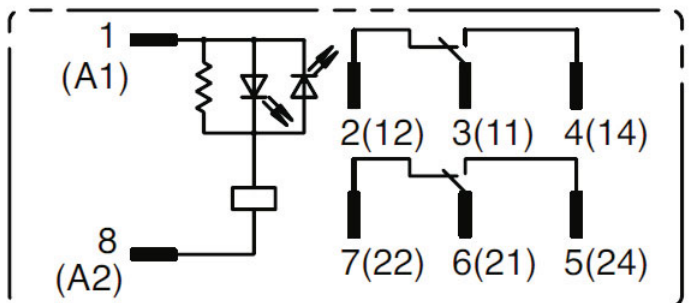


Coil rated voltage > 24V

Q14F2S-CL-Standard type(With active LED)



Coil rated voltage ≤ 24V

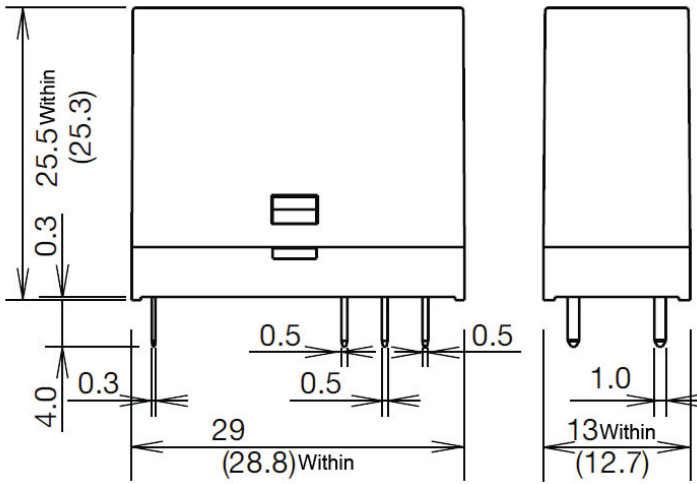


Coil rated voltage > 24V



Outline dimension wiring diagram(mm)

Q14F-1 PCB Type



Q14F-2 PCB Type

