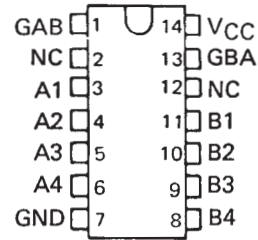


SN54LS242, SN54LS243, SN74LS242, SN74LS243 QUADRUPLE BUS TRANSCEIVERS

SDLS145 – APRIL 1985 – REVISED MARCH 1988

- Two-Way Asynchronous Communication Between Data Buses
- PNP Inputs Reduce D-C Loading
- Hysteresis (Typically 400 mV) at Inputs Improves Noise Margin

SN54LS242, SN54LS243 . . . J OR W PACKAGE
SN74LS242, SN74LS243 . . . D OR N PACKAGE
(TOP VIEW)

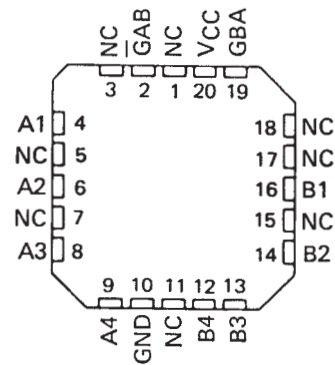


description

These four-data-line transceivers are designed for asynchronous two-way communications between data buses. The SN74LS' can be used to drive terminated lines down to 133 ohms.

The SN54' family is characterized for operation over the full military temperature range of -55°C to 125°C . The SN74' family is characterized for operation from 0°C to 70°C .

SN54LS242, SN54LS243 . . . FK PACKAGE
(TOP VIEW)

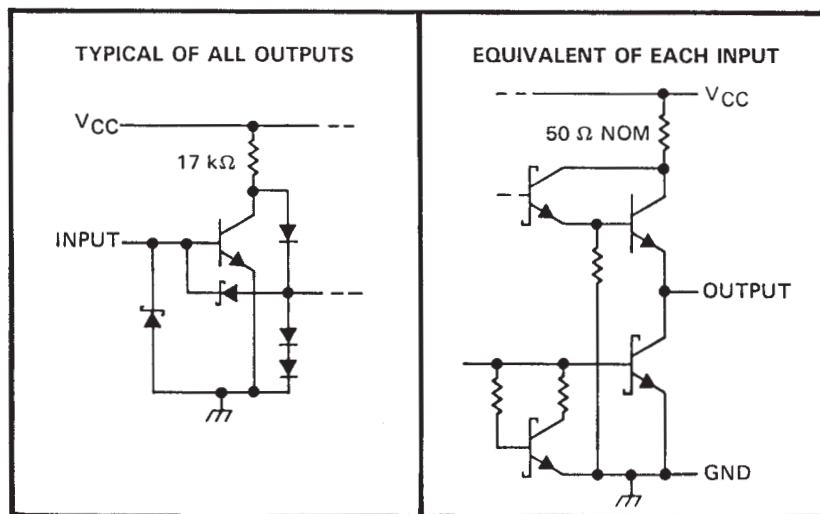


FUNCTION TABLE (EACH TRANSCEIVER)

INPUTS		'LS242	'LS243
$\bar{G}AB$	GBA		
L	L	\bar{A} to B	A to B
H	H	\bar{B} to A	B to A
H	L	Isolation	Isolation
L	H	Latch A and B ($A = \bar{B}$)	Latch A and B ($A = B$)

NC—No internal connection

schematics of inputs and outputs



PRODUCTION DATA information is current as of publication date. Products conform to specifications per the terms of Texas Instruments standard warranty. Production processing does not necessarily include testing of all parameters.

 **TEXAS
INSTRUMENTS**

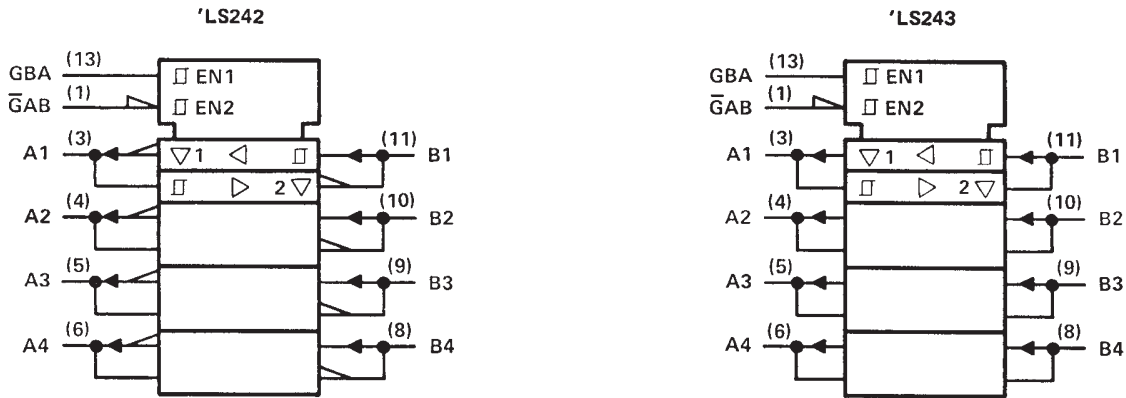
POST OFFICE BOX 655303 • DALLAS, TEXAS 75265

Copyright © 1988, Texas Instruments Incorporated

SN54LS242, SN54LS243, SN74LS242, SN74LS243 QUADRUPLE BUS TRANSCEIVERS

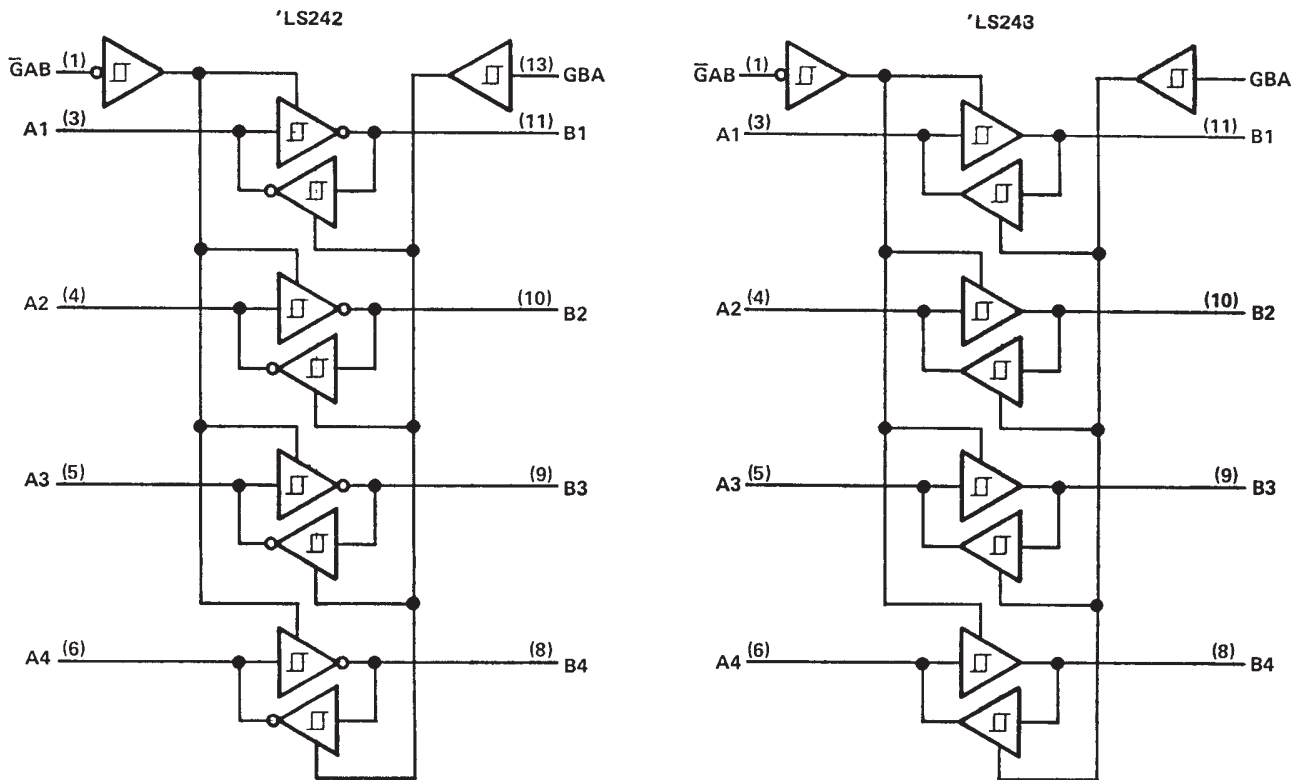
SDLS145 – APRIL 1985 – REVISED MARCH 1988

logic symbols †



†These symbols are in accordance with ANSI/IEEE Std. 91-1984 and IEC Publication 617-12.

logic diagrams (positive logic)



Pin numbers shown are for D, J, N, and W packages.

absolute maximum ratings over operating free-air temperature range (unless otherwise noted)

Supply voltage, V_{CC} (see Note 1)	7 V
Input voltage	7 V
Off-state output voltage	5.5 V
Operating free-air temperature range: SN54LS'	-55°C to 125°C
SN74LS'	0°C to 70°C
Storage temperature range	-65°C to 150°C

NOTE 1: Voltage values are with respect to network ground terminal.



POST OFFICE BOX 655303 • DALLAS, TEXAS 75265

SN54LS242, SN54LS243, SN74LS242, SN74LS243 QUADRUPLE BUS TRANSCEIVERS

SDLS145 – APRIL 1985 – REVISED MARCH 1988

recommended operating conditions

		SN54LS'			SN74LS'			UNIT		
		MIN	NOM	MAX	MIN	NOM	MAX			
V_{CC}	Supply voltage, (see Note 1)	4.5	5	5.5	4.75	5	5.25	V		
V_{IH}	High-level input voltage	2			2			V		
V_{IL}	Low-level input voltage	0.7			0.8			V		
I_{OH}	High-level output current	-12			-15			mA		
I_{OL}	Low-level output current	12			24			mA		
T_A	Operating free-air temperature	-55			125			0	70	°C

electrical characteristics over recommended operating free-air temperature range (unless otherwise noted)

PARAMETER	TEST CONDITIONS†	SN54LS'			SN74LS'			UNIT		
		MIN	TYP‡	MAX	MIN	TYP‡	MAX			
V_{IK}	A or B	$V_{CC} = \text{MIN}, I_I = -18 \text{ mA}$			-1.5			V		
Hysteresis ($V_{T+} - V_{T-}$)		$V_{CC} = \text{MIN}$			0.2	0.4	0.2	0.4	V	
V_{OH}		$V_{CC} = \text{MIN}, V_{IH} = 2 \text{ V}, V_{IL} = \text{MAX}, I_{OH} = -3 \text{ mA}$			2.4	3.1	2.4	3.1	V	
		$V_{CC} = \text{MIN}, V_{IH} = 2 \text{ V}, V_{IL} = 0.5 \text{ V}, I_{OH} = \text{MAX}$			2		2			
V_{OL}		$V_{CC} = \text{MIN}, V_{IH} = 2 \text{ V}, V_{IL} = \text{MAX}$			0.25		0.4		V	
							0.35			
I_{OZH}		$V_{CC} = \text{MAX}, V_{IH} = 2 \text{ V}, V_{OL} = 2.7 \text{ V}$			40			μA		
I_{OZL}		$V_{CC} = \text{MAX}, V_{IH} = 2 \text{ V}, V_{OL} = 0.4 \text{ V}$			-200			μA		
I_I	A or B	$V_{CC} = \text{MAX}, V_I = 5.5 \text{ V}$			0.1			mA		
	$\overline{\text{GAB}}$ or GBA	$V_{CC} = \text{MAX}, V_I = 7 \text{ V}$			0.1					
I_{IH}		$V_{CC} = \text{MAX}, V_I = 2.7 \text{ V}$			20			μA		
I_{IL}	A inputs	$V_{CC} = \text{MAX}, V_I = 0.4 \text{ V}, \overline{\text{GAB}}$ and GBA at 0 V			-0.2			mA		
	B inputs	$V_{CC} = \text{MAX}, V_I = 0.4 \text{ V}, \overline{\text{GAB}}$ and GBA at 4.5 V			-0.2					
	$\overline{\text{GAB}}$ or GBA	$V_{CC} = \text{MAX}, V_I = 0.4 \text{ V}$			-0.2					
$I_{OS}\S$		$V_{CC} = \text{MAX}$			-40	-225	-40	-225	mA	
I_{CC}	Outputs high				'LS242, 'LS243	22	38	22	38	mA
	Outputs low	$V_{CC} = \text{MAX},$ Outputs open,			'LS242, 'LS243	29	50	29	50	
	All outputs disabled	See Note 2			'LS242	29	50	29	50	
					'LS243	32	54	32	54	

† For conditions shown as MIN or MAX, use the appropriate value specified under recommended operating conditions.

‡ All typical values are at $V_{CC} = 5 \text{ V}, T_A = 25^\circ\text{C}$.

§ Not more than one output should be shorted at a time, and duration of the short-circuit should not exceed one second.

NOTE 2: I_{CC} is measured with transceivers enabled in one direction only, or with all transceivers disabled.

switching characteristics, $V_{CC} = 5 \text{ V}, T_A = 25^\circ\text{C}$

PARAMETER	TEST CONDITIONS	'LS242			'LS243			UNIT	
		MIN	TYP	MAX	MIN	TYP	MAX		
t_{PLH}	$R_L = 667 \Omega$ See Note 3				9	14	12	18	ns
t_{PHL}					12	18	12	18	ns
t_{PZL}					20	30	20	30	ns
t_{PZH}					15	23	15	23	ns
t_{PLZ}	$R_L = 667 \Omega,$ See Note 3				10	20	10	20	ns
t_{PHZ}					15	25	15	25	ns

NOTE 3: Load circuits and voltage waveforms are shown in Section 1.



IMPORTANT NOTICE

Texas Instruments and its subsidiaries (TI) reserve the right to make changes to their products or to discontinue any product or service without notice, and advise customers to obtain the latest version of relevant information to verify, before placing orders, that information being relied on is current and complete. All products are sold subject to the terms and conditions of sale supplied at the time of order acknowledgement, including those pertaining to warranty, patent infringement, and limitation of liability.

TI warrants performance of its semiconductor products to the specifications applicable at the time of sale in accordance with TI's standard warranty. Testing and other quality control techniques are utilized to the extent TI deems necessary to support this warranty. Specific testing of all parameters of each device is not necessarily performed, except those mandated by government requirements.

CERTAIN APPLICATIONS USING SEMICONDUCTOR PRODUCTS MAY INVOLVE POTENTIAL RISKS OF DEATH, PERSONAL INJURY, OR SEVERE PROPERTY OR ENVIRONMENTAL DAMAGE ("CRITICAL APPLICATIONS"). TI SEMICONDUCTOR PRODUCTS ARE NOT DESIGNED, AUTHORIZED, OR WARRANTED TO BE SUITABLE FOR USE IN LIFE-SUPPORT DEVICES OR SYSTEMS OR OTHER CRITICAL APPLICATIONS. INCLUSION OF TI PRODUCTS IN SUCH APPLICATIONS IS UNDERSTOOD TO BE FULLY AT THE CUSTOMER'S RISK.

In order to minimize risks associated with the customer's applications, adequate design and operating safeguards must be provided by the customer to minimize inherent or procedural hazards.

TI assumes no liability for applications assistance or customer product design. TI does not warrant or represent that any license, either express or implied, is granted under any patent right, copyright, mask work right, or other intellectual property right of TI covering or relating to any combination, machine, or process in which such semiconductor products or services might be or are used. TI's publication of information regarding any third party's products or services does not constitute TI's approval, warranty or endorsement thereof.