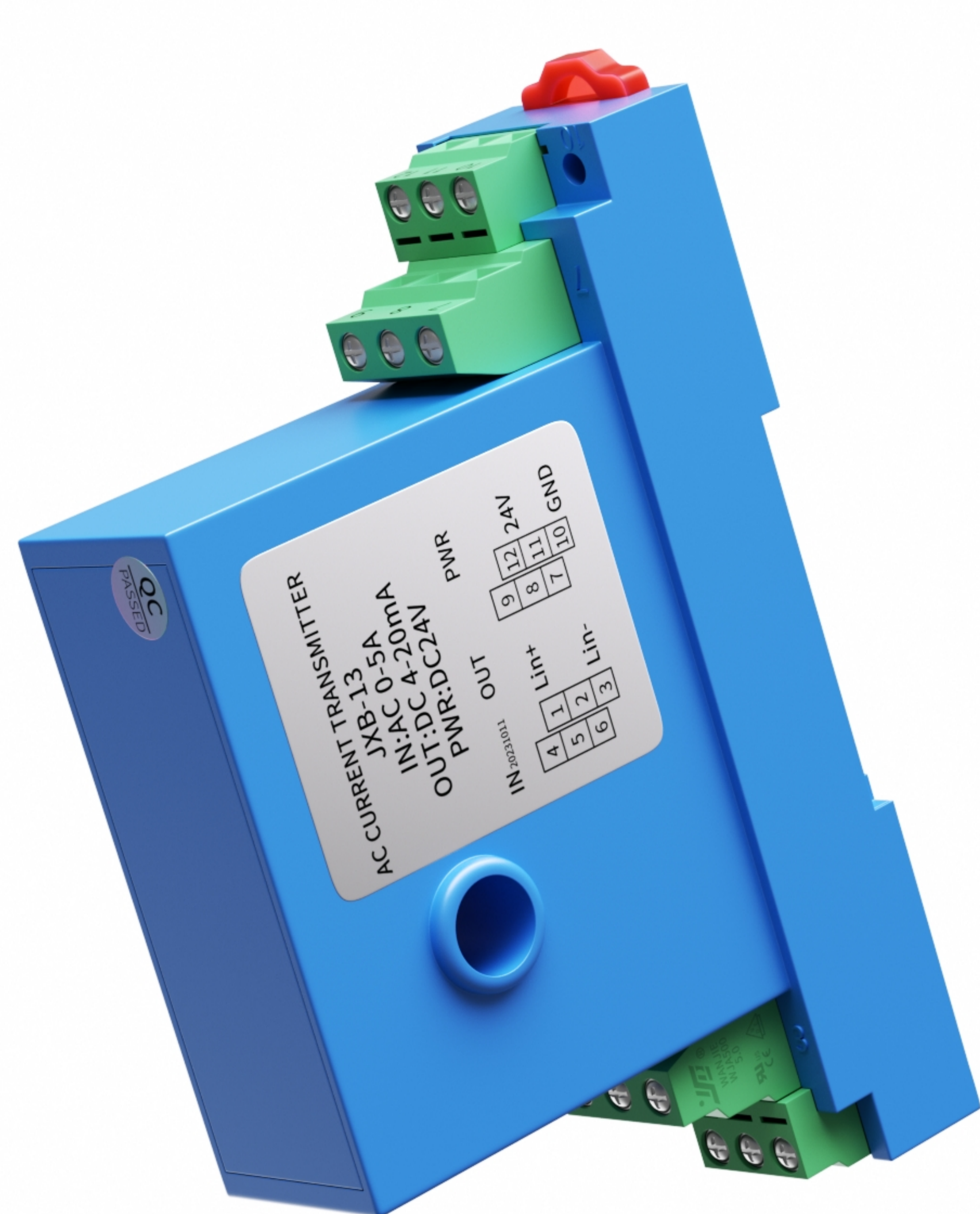


JXK-14/JXK-D14 Current Transducer



1. Input overload protection
2. Output overcurrent limit protection
3. Output current short-circuit protection
4. Wide voltage power supply
5. Working power reverse protection
6. Light weight and easy installation
7. High precision, good linearity
8. Wide frequency band, low temperature drift,
9. Fast response, strong anti-interference ability

Product Overview

The current transmitter is a device that converts the large current signal from the field into standard process signal and RS485 digital signal for measuring the sine wave AC current signal in the industrial field.

DIN rail independent mounting.

Product Parameter

Installation method: Standard guide rail (35mm)

Original measurement range :0A~150A

Rated output :0-5V, 0-10V, DC4-20mA, DC0-20mA, RS485

Load capacity :5mA

Linearity :0.5%

Accuracy :0.5% 1%

Isolated voltage :2.5kV/50Hz, 1Min

Temperature drift :<500PPM/°C

Band width :DC~20KHZ

DI/DT Follow :>50A/uS

Consumption current :10mA+ output current

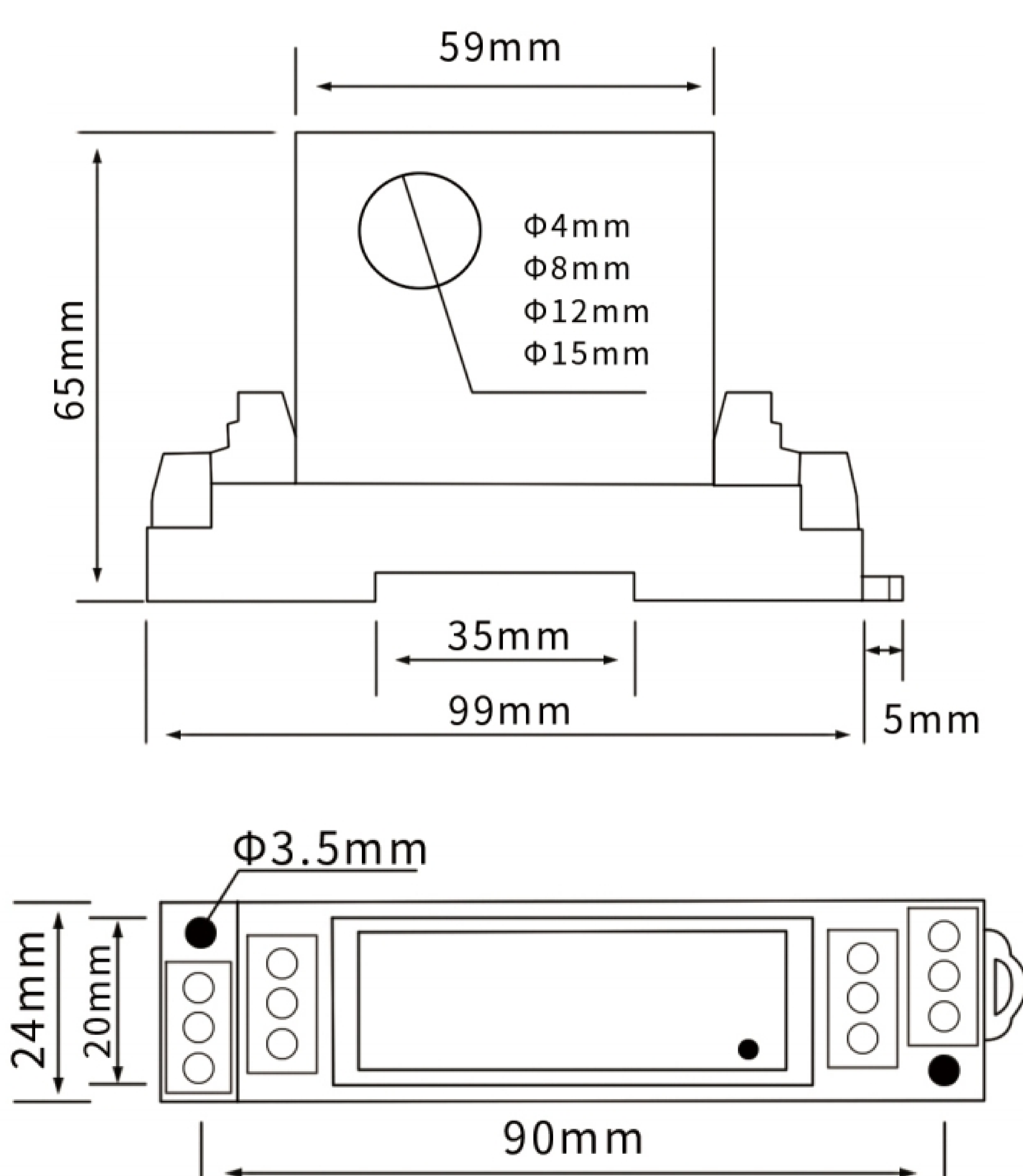
Response time :<200ms

Operating temperature :-10°C~+70°C

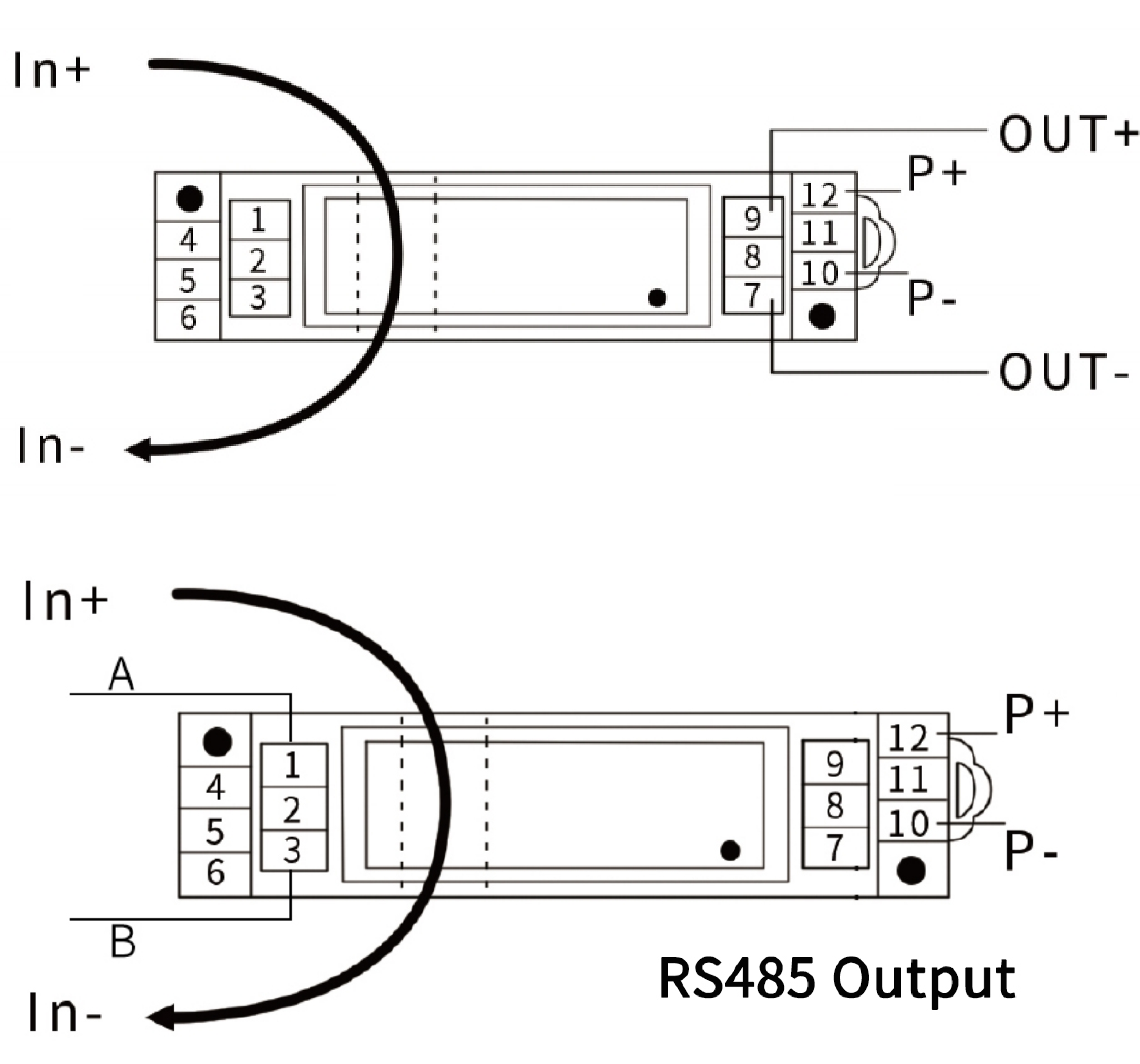
Storage temperature :-25°C~+85°C

Power supply :DC24V/AC220V

Product Size



Product Wire



- The power supply must be connected in strict accordance with the wiring diagram.
- Thread directions Punch holes in the direction of the arrow marked on the product.

Installation Precautions

- Warning!
 1. Before using the current transmitter, carefully check and confirm the quantity, model and specification of the product according to the packing list and product label, and carefully read the operation manual of the current transmitter.
 2. The use environment of the current transformer transmitter should be free of conductive dust, corrosive gas, strong impact and vibration.
 3. The integrated structure of the current converter transmitter is not removable, and collision and fall should be avoided. Do not alter or tear any label on the product.
 4. When the current transmitter is installed centrally, the installation spacing is usually >10mm.
 5. When using, wiring must be strictly in accordance with the wiring method in the instruction manual, and then switch on the power and signal after checking.